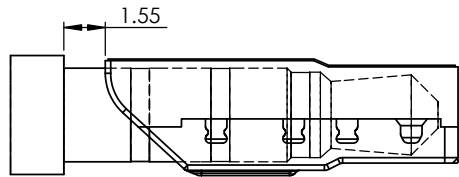
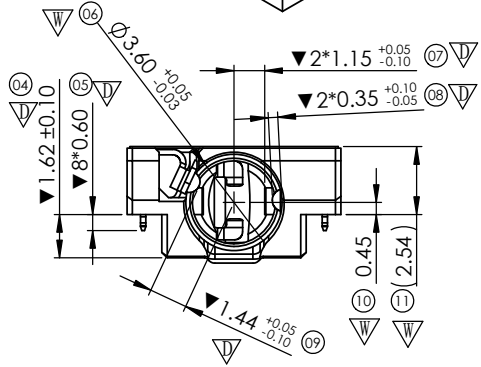
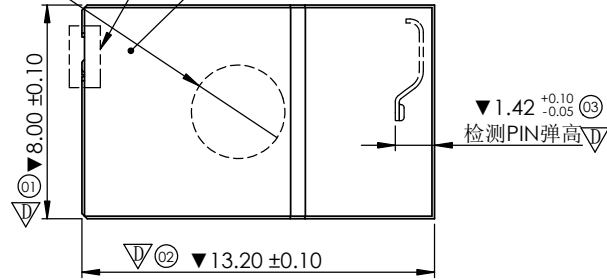


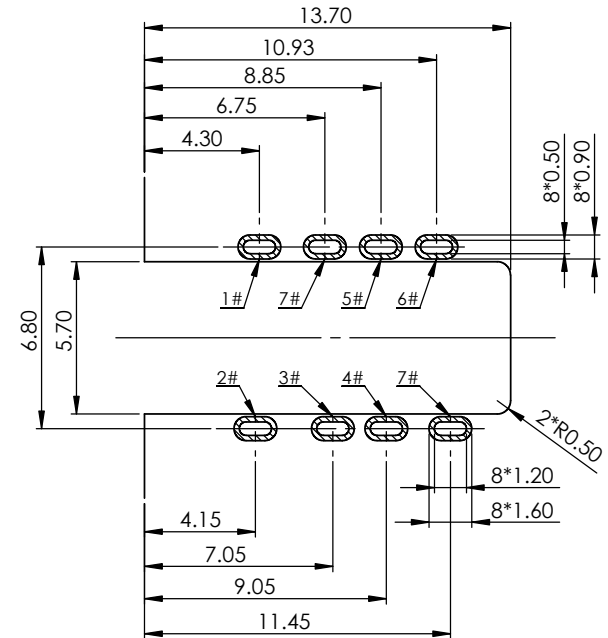
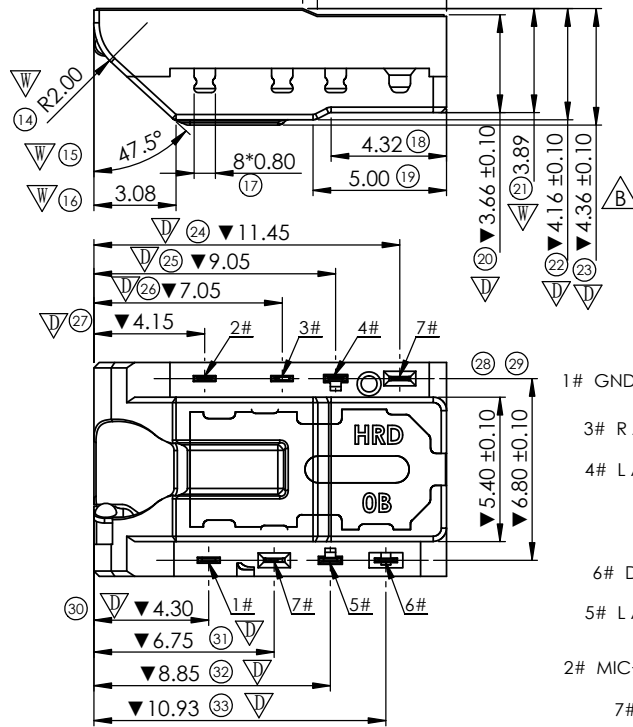
Ø3.50 REF 吸件位置

弹片头部凸出塑胶面0.10mm max,
机壳处需做避让处理

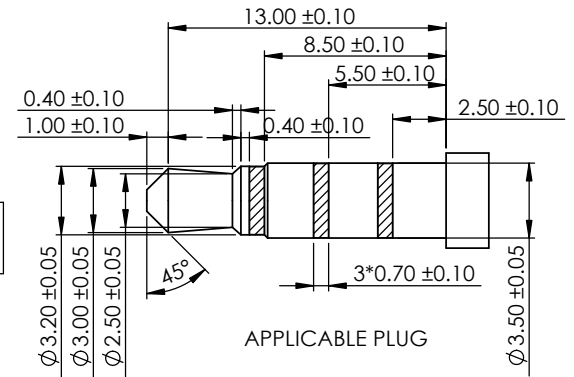
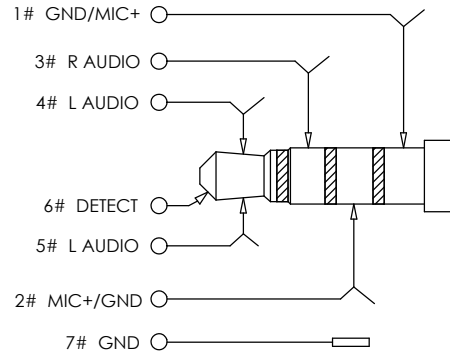
BLACK MYLAR(12.90*7.80*0.06)
MYLAR需完全覆盖住端子表面
mylar四周允许凸出产品表面0.10mm max



PLUG插入示意图



P.C.B LAYOUT (TOLERANCE:±0.05)



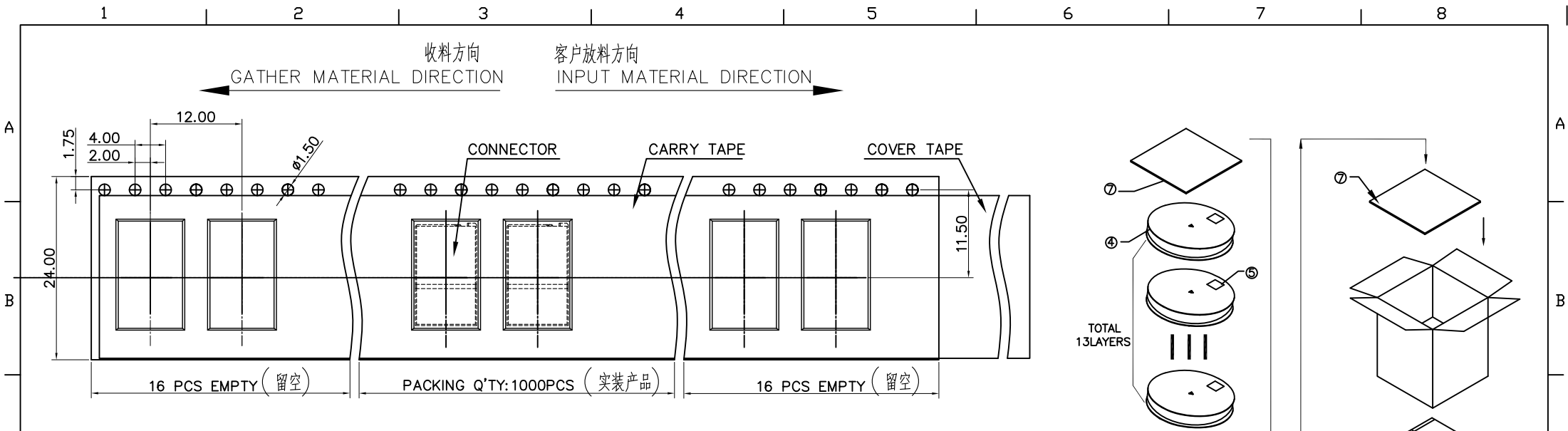
APPLICABLE PLUG

- NOTES:
- MATERIAL:
HOUSING: NYLON-9T(全新材料), BLACK, UL 94 HB
TERMINAL: MIC/GND/R AUDIO: C5210 T=0.20mm
L AUDIO: SUS304 T=0.20mm,
DETECT: C5210 T=0.15mm
PEG: SUS304 T=0.15mm
 - FINISH:
TERMINA: 50u" MIN Ni PLATED OVER ALL,
15u" MIN AU PLATED ON CONTACT AREA
1u" MIN AU PLATED ON SOLDER AREA
 - ALL DIMENSIONS MARKED ∇ MUST BE CONTROLLED EVERYDAY BY QC.
MARKED ∇ PER WORK WEEK AND MARKED ∇ PER MONTH MUST BE CONTROLLED.
 - ALL DIMENSIONS MARKED (X) MUST BE MEASURE BY FAI
 - PRODUCT SPECIFICATIONS:
5-1 WITHSTANDING: 500V AC/MINUTE
5-2 CONTACT RESISTANCE: 100 MILLIOHM (initial) Max.
5-3 MATING AND UNMATING FORCE: 0.5-2.0 Kgf Max. (BTFORE DURABILITY)
5-4 MATING AND UNMATING FORCE: 0.3-2.0 Kgf Max. (AFTER DURABILITY)
5-5 OPERATION TEMPERATURE: -25° TO +85°
5-6 STORAGE TEMPERATURE: -25° TO +85°
5-7 DURABILITY: 5000 CYCLES

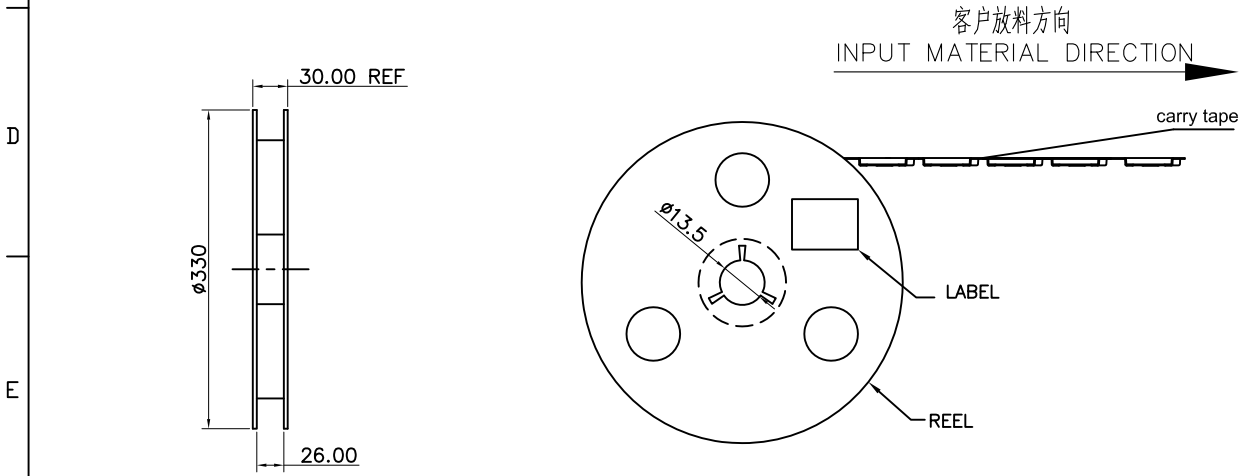
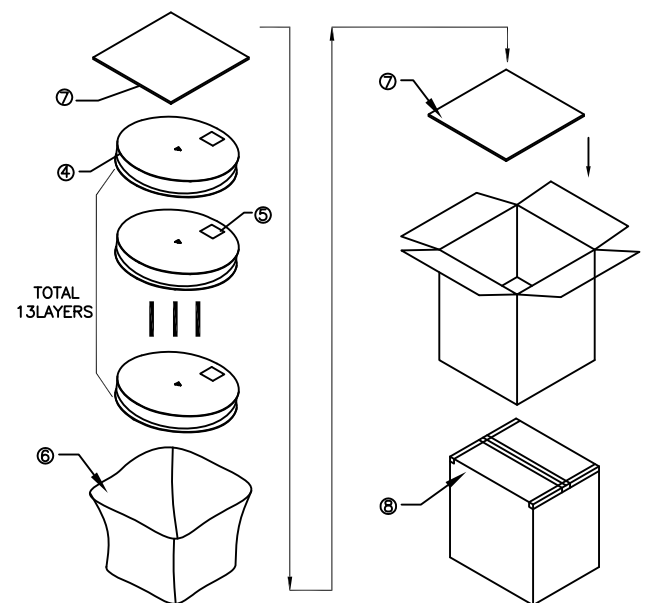
REV.	ECN NO.	DESCRIPTION	DATE	UNITS: mm	GENERAL TOLERANCE	DRAW:	PART NO:
				DATE: 07/24/2017	X. ±0.20 X' ±0.15 .XX ±0.10 .XXX ±0.05	X. ±2.00 X' ±1.00 .XX ±0.50	PH88-0B23C41M
B	E1711397A	铁片及塑胶增加凸起 加强产品强度	11/10/2017	SCALE: 5/1		CHECKED:	TITLE: Ø3.50MM PHONE JACK CONN.
A		NEW	07/24/2017	SHEET: 1/1	MATERIAL:	APPROVE:	DRAWING NO:
				REV. A	FINISH: SEE NOTE		



昆山捷星电子精密科技有限公司
HONGRIDA ELECTRONIC TECHNOLOGY CO., LTD.



PH88-0B23C41M 包装示意图



BOM:

NO.	NAME	P/N	SPEC.	Q'TY
①	PHONE JACK	PH88-0B23C41M	DIP	13000PCS
②	CARRY TAPE	R24-PH884100	PS,W=24.0,P=12.0	160.992m
③	COVER TAPE	C24-01000000	PE,W=21.3,T=0.05	160.992m
④	REEL	P24-01100000	φ330,H=24.0	13PCS
⑤	纸箱	W01-01353539	350*350*390	1PCS

NO.	DESCRIPTION	MAT,L	COLOR	REMARK
1	R24-PH884100	PET	WHITE	

UNITS: mm	GENERAL TOLERANCE		DRAW:	PART NO: P-PH88-0B23C41M
DATE: 07/24'2017	X. ±0.20	X.' ±2.00'	CHECKED:	TITLE: φ 3.5MM PHONE JACK CONN.
SCALE: N/A	.X ±0.15	.X' ±1.00'	APPROVE:	DRAWING NO:
REVISION:	NEW	07/24'2017	SHEET: 1/1	MATERIAL:
REV. A	ECN NO.	DESCRIPTION	DATE	REV. A
				FINISH:


 昆山捷皇电子精密科技有限公司
 HRD ELECTRONIC TECHNOLOGY CO.,LTD.