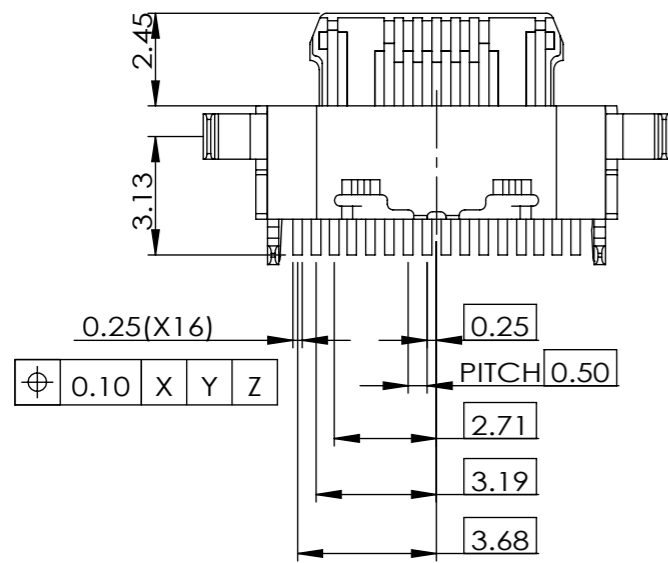
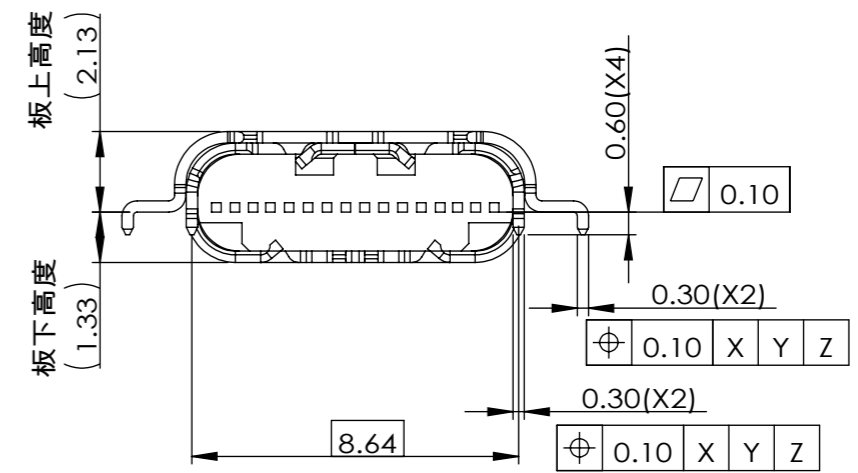
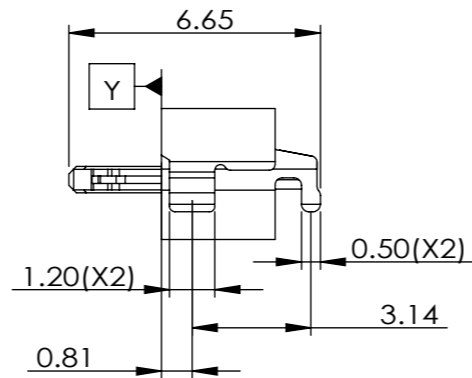
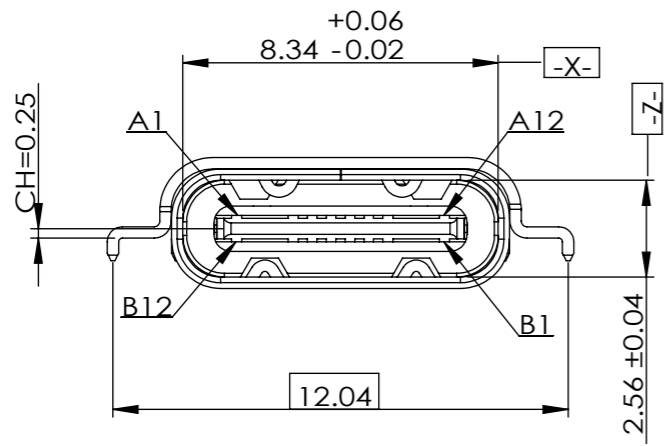
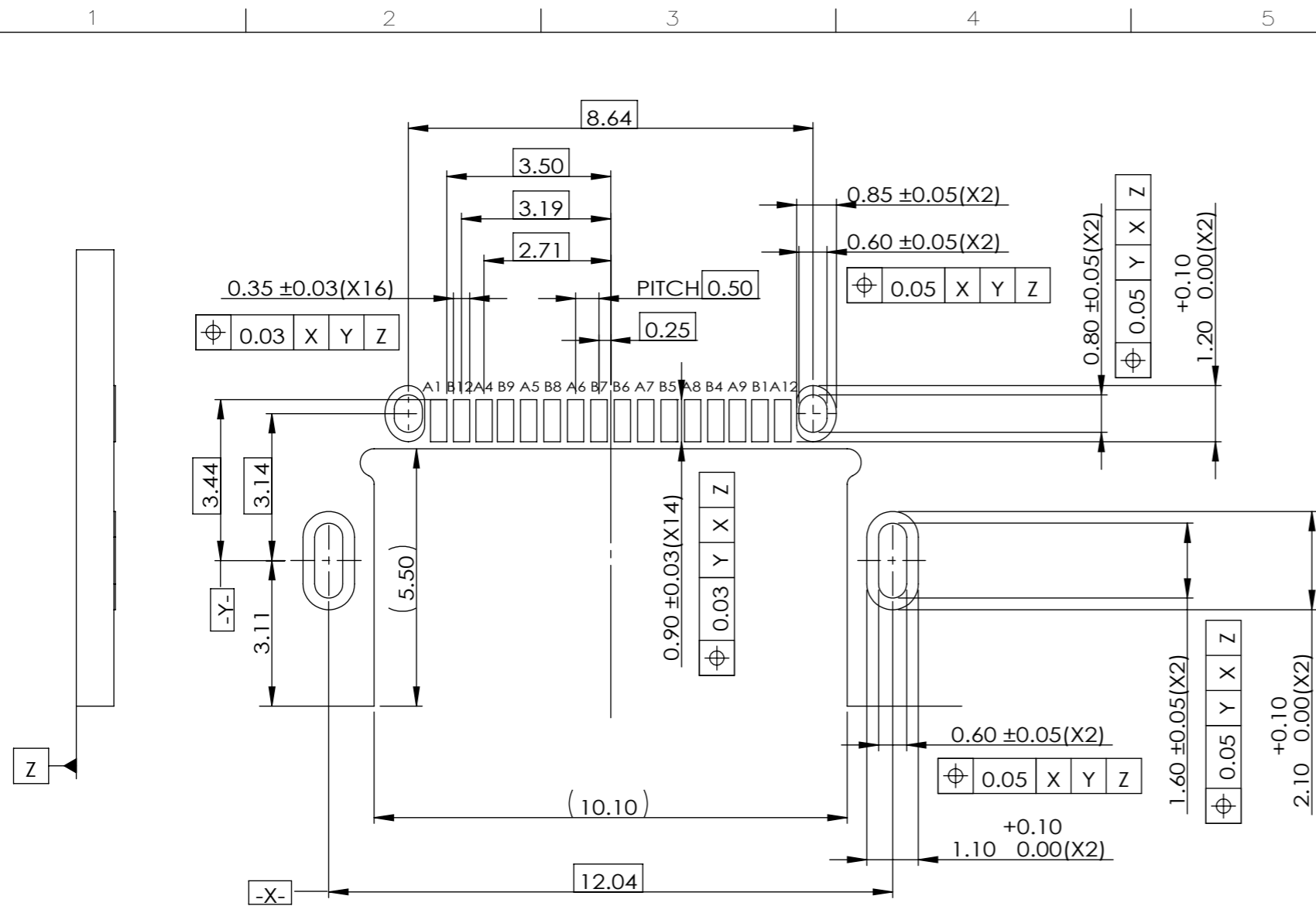


PIN ASSINGMENT											
A1	A2	A3	A4	A5	A6	A7	A8	A9	A10	A11	A12
GND	SSRXp1	SSRXn1	VBUS	CC1	Dp1	Dn1	SBU1	VBUS	SSRXn2	SSRXp2	GND
GND	SSRXp1	SSRXn1	VBUS	SBU2	Dn2	Dp2	CC2	VBUS	SSRXn2	SSRXp2	GND
B12	B11	B10	B9	B8	B7	B6	B5	B4	B3	B2	B1



7	OTHER SHELL	1	UC8-SN104R00	STAINLESS STEEL/Ni PLATED
6	SHELL	1	UC8-SN004R00	STAINLESS STEEL/Ni PLATED
5	MOLIDING2	1	UC8-MB040R02	THERMOPLASTIC UL94V-0
4	MOLIDING1	1	UC8-MB040R01	THERMOPLASTIC UL94V-0
3	GND	1	UC8-GN000R00	STAINLESS STEEL
2	DOWN CONTACT	8	UC8-TN004R01	COPPER/Au PLATED
1	UP CONTACT	8	UC8-TN004R00	COPPER/Au PLATED
ITEM	NAME	Q'TY	PART	MATERIAC/FINISH

				UNITS: mm	GENERAL TOLERANCE		DRAW: GTP	PART NO: UC8-0X025XR0
C	P19031401	改善跌落测试	03/14/2019'	DATE: 10/10/2018'	X. ±0.20	X.° ±2.00°	CHECKED:	NAME: TYPE C 16PIN CH=0.25 MID MOUNT TYPE FOR WINGTECH USED
B		止挡点数量增加	01/03/2019'	SCALE: 5/1	.X ±0.15	.X° ±1.00°	APPROVE:	DRAWING NO: C-UC8-04-01
A		NEW	10/10/2018'	SHEET: 1/2	.XX ±0.10	.XX° ±0.50°	鸿日达科技股份有限公司 HONGRIDA ELECTRONIC TECHNOLOGY CO.,LTD.	
REV.	ECN NO.	DESCRIPTION	DATE	REV. C	.XXX ±0.05	FINISH: SEE NOTE		



RECOMMENDED PCB LAYOUT
 PCB THICKNESS IS 0.8mm
 DEFAULT TOLERANCE +/-0.05

NOTES:

- 1.0. ELECTRICAL CHARACTERISTICS
 - 1.1. LOW LEVEL CONTACT RESISTANCE:
 40m ohm MAX FOR ALL CONTACT .
 50m ohm MAX. AFTER ENVIRINMENT TEST
 - 1.2. DIELECTRIC WITHSTANDING VOLTAGE
 100 VAC FOR 1 MINUTE SEA LEVEL
 - 1.3. INSULATION RESISTANCE
 100meg ohm MIN
 - 1.4. CURRENT RATING
 VBUS AND GND CONTACTS RATED AT 1.25A EA.
 PARALLELED FOR A TOTAL OF 5A
- 2.0. MECHANICAL CHARACTERISTICS:
 - 2.1. INSERTION FORCE: 20N MAX
 - 2.2. EXTRACTION FORCE 1-1000 CYCLES 8N MIN. 20 N MAX.
 EXTRACTION FORCE 1001-10000 CYCLES 6N MIN. 20 N MAX.
 - 2.3. DURABILITY : 10,000 CYCLES
 - 3.0 .OPERATING TEMPERATURE: -55° TO +85°

CONNECTOR NUMBER CODE

UC8- 0 X 025 X R 0
 --- --- --- --- ---
 1 2 3 4 5

1:PRODUCT DESCRIPTION:
 UC8:USB 2.0 TYPE C REC MIDDLE MOUNT TYPE

2:PRODUCT TYPE
 0:SMT TYPE

3:COLOUR OF HOUSING
 B:BLACK
 W:WHITE

4:CENTER HIGH
 025:CH=0.25mm

5:CONTACT PLATING
 F : GOLD FLASH ON CONTACT AREA
 1 : Au 5u" ON CONTACT AREA
 2 : Au 15u" ON CONTACT AREA
 3 : Au 30u" ON CONTACT AREA

				UNITS: mm	GENERAL TOLERANCE		DRAW: GTP	PART NO: UC8-0X025XR0
C	P19031401	改善跌落测试	03/14/2019'	DATE: 10/10/2018	X. ±0.20	X.° ±2.00°	CHECKED:	NAME: TYPE C 16PIN CH=0.25 MID MOUNT TYPE FOR WINGTECH USED
B	————	止挡点数量增加	01/03/2019'	SCALE: 8 / 1	.X ±0.15	.X° ±1.00°	APPROVE:	DRAWING NO: C-UC8-04-01
A	————	NEW	10/10/2018	SHEET: 2 / 2	.XX ±0.10	.XX° ±0.50°	鸿日达科技股份有限公司 HONGRIDA ELECTRONIC TECHNOLOGY CO.,LTD.	
REV.	ECN NO.	DESCRIPTION	DATE	REV. C	FINISH: SEE NOTE			