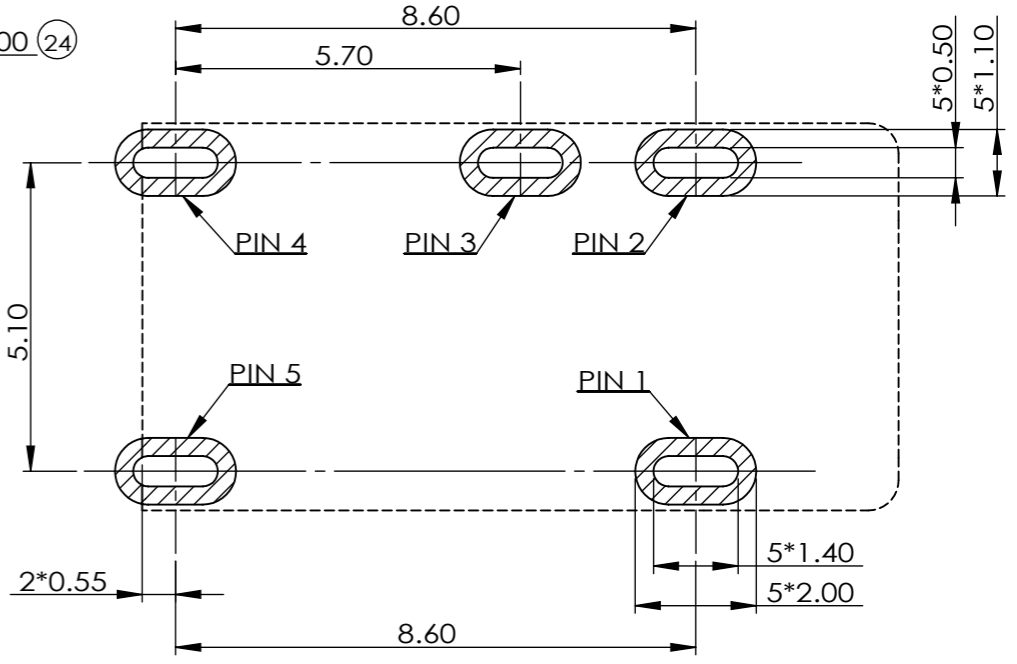
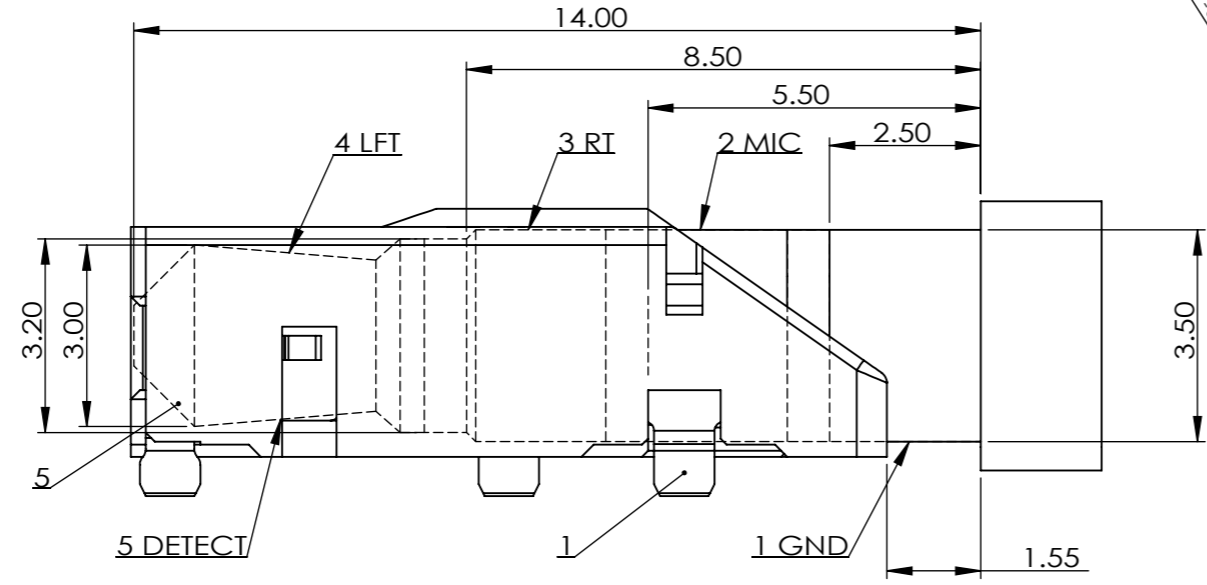
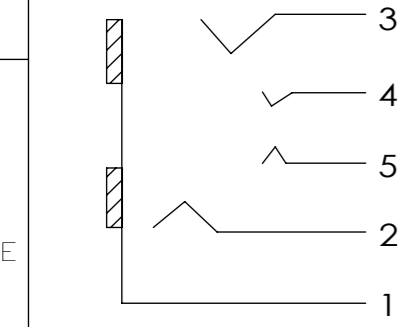
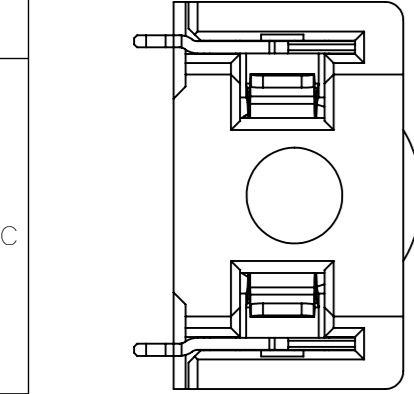
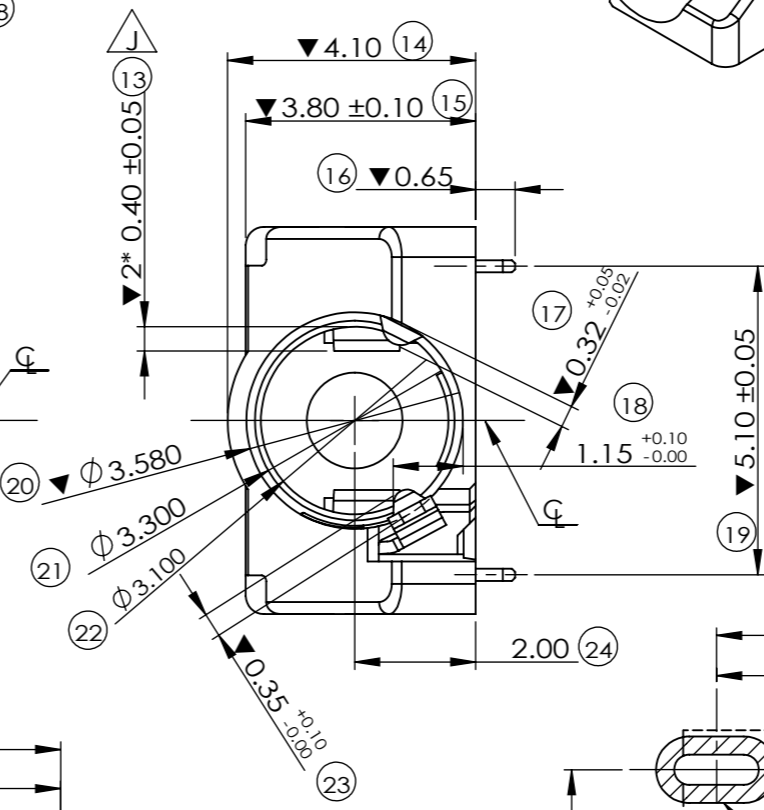
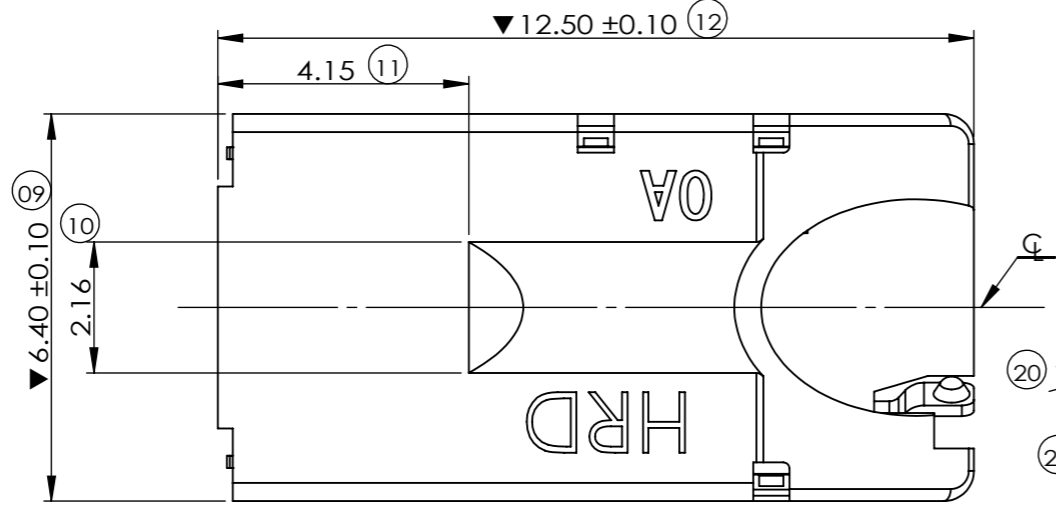
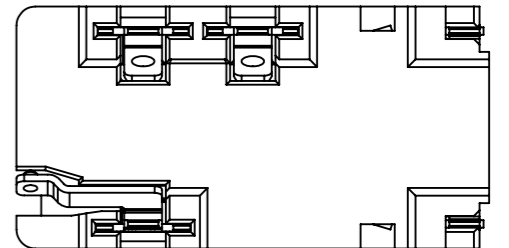
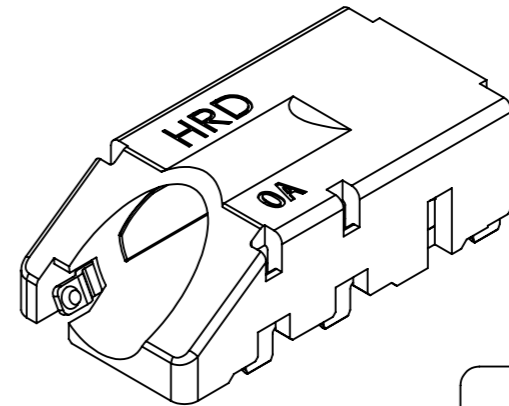
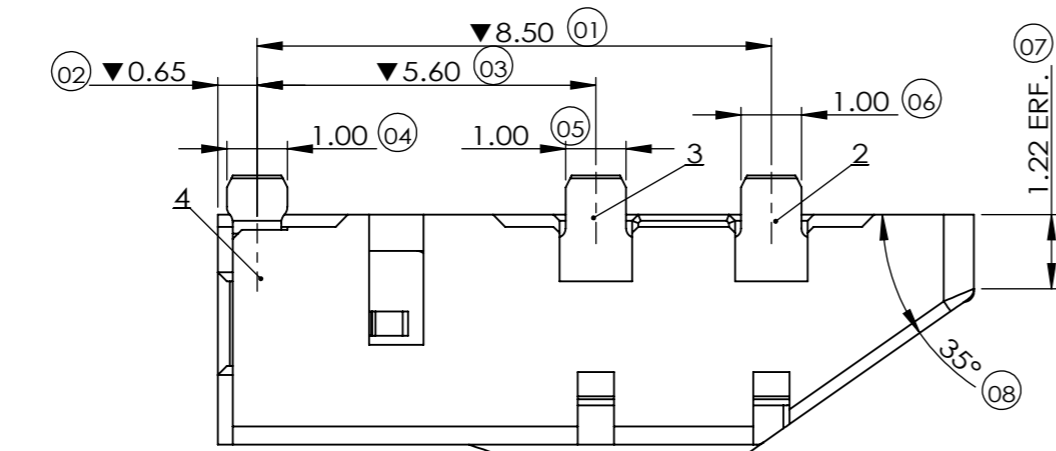


NO	DESCRIPTION
1	GND
2	MIC
3	RT
4	LET
5	DETECT



PLUG 插入示意图

P.C.B LAYOUT (TOLERANCE:±0.05)

NOTES:
 1.MATERIAL:
 BODY:PA 9T,BLACK,UL 94
 TERMINAL:COPPER ALLOY OR SUS,T=0.20mm
 2.FINISH:
 TERMINA:50u" MIN Ni UNDER PLATING OVER ALL
 1U" MIN AU UNDER PLATING OVER ALL
 3.ALL DIMENSIONS MARKED ▼ MUST BE CONTROLLED BY QC
 4.ALL DIMENSIONS MARKER (XX) MUST BE MEASURE BY FAI.

REV.	ECN NO.	DESCRIPTION	DATE	REV.	FINISH:	GENERAL TOLERANCE		DRAW:	PART NO:
J	E1805174A	4, 5号端子降 弹高, 减小插拔力	05/18'2018	UNITS: mm					PH20-0A38F38B
I	E1612567A	修改尺寸重点标注	12/30'2016	DATE: 10/25'2014	X. ±0.20	X.° ±2.00	CHECKED:		NAME: φ3.5MM PHONE JACK CONN. 板上直插型, H=3.80mm
H	E1607289A	还原F板图档	07/21'2016	SCALE: 8 / 1	.X ±0.15	.X° ±1.00	APPROVE:		DRAWING NO:
G	E1604138A	2#/3#端子增加 限位结构	04/19'2016	SHEET: 1 / 1	.XX ±0.10	.XX° ±0.50			
REV.	ECN NO.	DESCRIPTION	DATE	REV.	A	SEE NOTE			

鸿日达科技股份有限公司
 HONGRIDA ELECTRONIC TECHNOLOGY CO.,LTD.