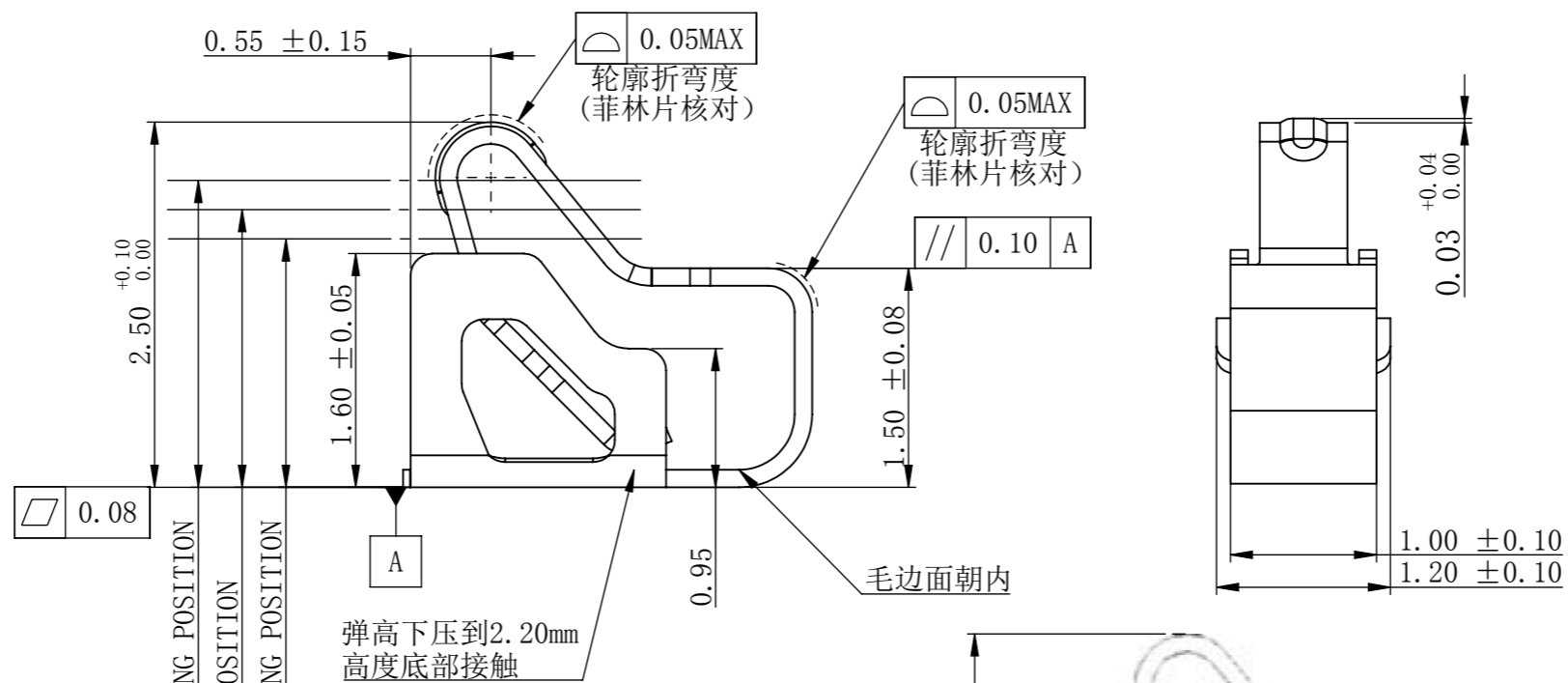
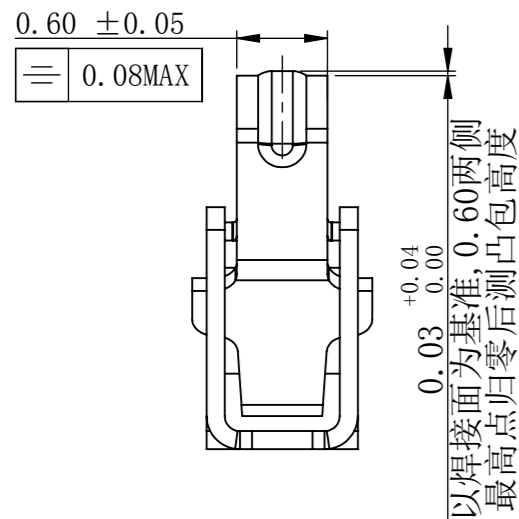
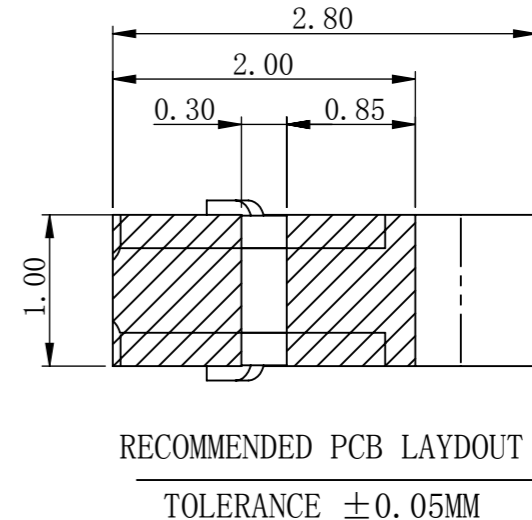
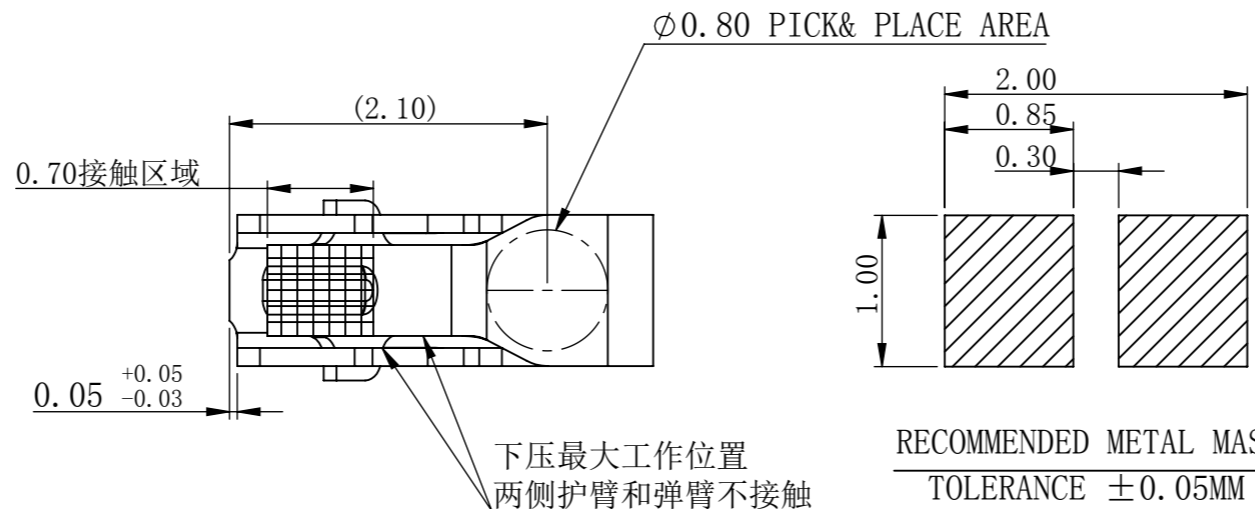
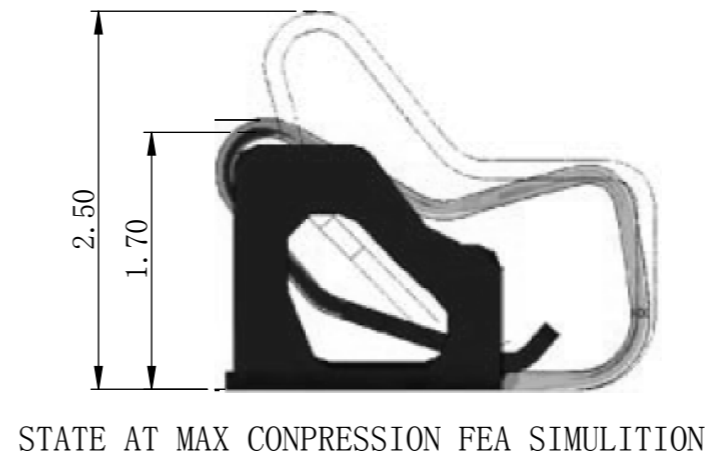
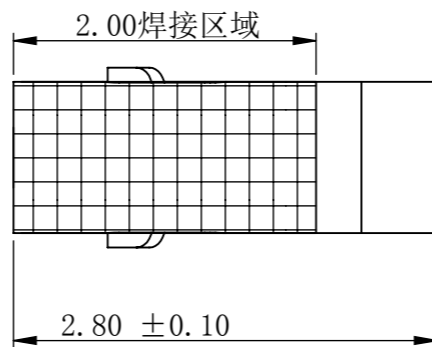
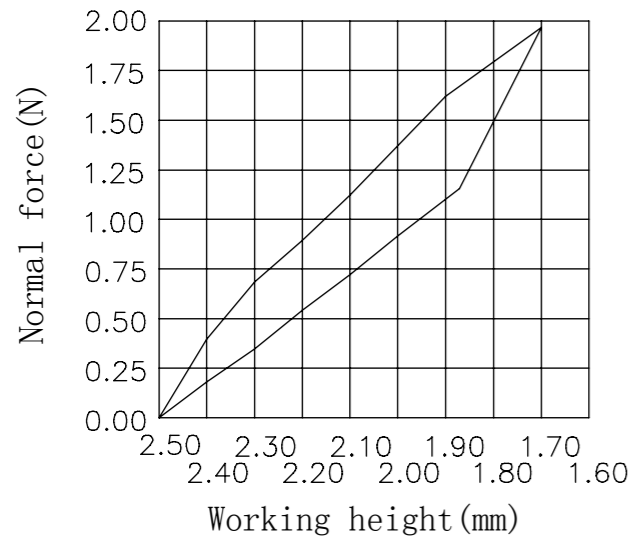


3D VIEW AS SHOWN



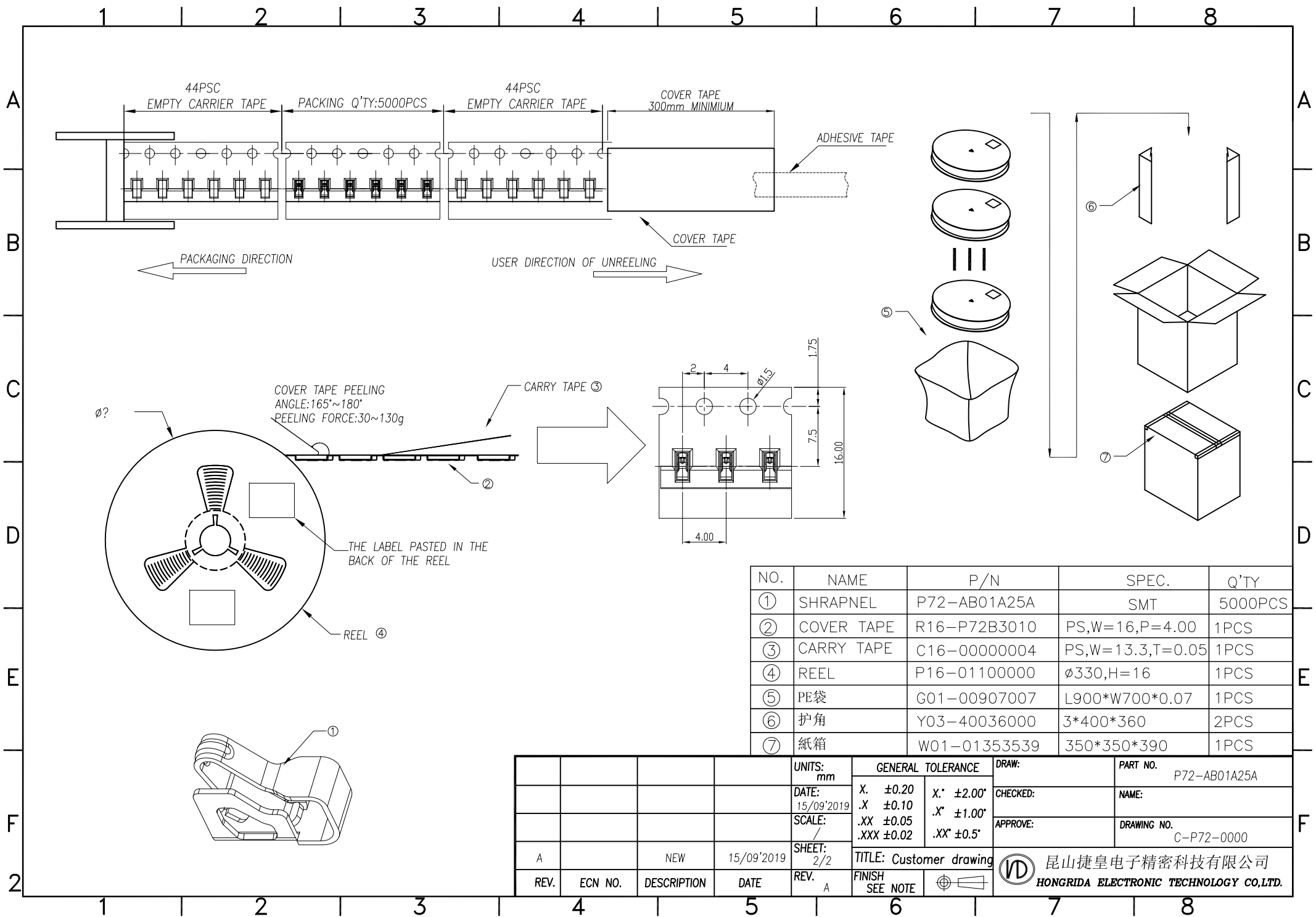
NOTES:

- MATERIAL: 1-1: YCUT-FX-EH, T=0.12mm
- FINISH: 2-1: $5\mu\text{MIN}$. Au PLATING ON CONTACT AREA, $1\mu\text{MIN}$. Au PLATING ON SOLDER AREA, $50\sim 120\mu\text{MIN}$ NICKEL UNDERPLATING PVER ALL. 2-2: DIMENSIONS WITHOUT TOLERANCE PLEASE REFER TO TOLERANCE TABLE, STRUCTURE WITHOUT DIMENSIONS PLEASE REFER TO 3D DRAWING. 2-3: DIMENSIONS OF PCB PAD AND STENCIL ARE FOR REFERENCE ONLY, CUSTOMERS CAN MODIFY IT BY THEIR OWN.
- SPECIFICATIONS: 3-1. RATING CURRECT: 2A. 3-2. RATING VOITGE: 10V. 3-3. CONTACT RESISTANCE: $30\text{m}\Omega$ MAX. AFTER DURABLITY ENVIRONMENT: $\Delta R=20\text{m}\Omega$ MAX. 3-4. OPERATING TEMPERATURE: $-55^\circ\text{C}\sim +85^\circ\text{C}$. 3-5. FORCE OF HEIGHI AT 1.7-2.1mm: 0.7N MIN.
- DURABILITY: 1500 CYCLES.
- PACKING SPECIFICATION: REEL&TAPE.
- COMPLIANT WITH RoHS STANDARD.
- SALT SPRAY TEST: 48H.



REV.	ECN NO.	DESCRIPTION	DATE	UNITS: mm	GENERAL TOLERANCE	DRAW:	PART NO:
B	E1909567A	依客户需求更新图画	09/25/2019	DATE: 09/12/2019	X. ± 0.20 .X ± 0.15 .XX ± 0.10 .XXX ± 0.05	CHECKED:	P72-AB01A25A
A	—	NEW	09/15/2019	SCALE: 20/1	X° $\pm 5.00^\circ$ X° $\pm 3.00^\circ$.XX° $\pm 1.00^\circ$.XXX° $\pm 0.50^\circ$	APPROVE:	NAME: 弹片
REV.	ECN NO.	DESCRIPTION	DATE	SHEET: 1/2	TITLE: CUSTOMER-DRAWING		DRAWING NO: C-P72-0000
				REV. A	FINISH: SEE NOTE		

昆山捷皇电子精密科技有限公司
HONGRIDA ELECTRONIC TECHNOLOGY CO., LTD.



NO.	NAME	P/N	SPEC.	Q'TY
①	SHRAPNEL	P72-AB01A25A	SMT	5000PCS
②	COVER TAPE	R16-P72B3010	PS,W=16,P=4.00	1PCS
③	CARRY TAPE	C16-00000004	PS,W=13.3,T=0.05	1PCS
④	REEL	P16-01100000	ø330,H=16	1PCS
⑤	PE袋	G01-00907007	L900*W700*0.07	1PCS
⑥	护角	Y03-40036000	3*400*360	2PCS
⑦	纸箱	W01-01353539	350*350*390	1PCS

REV.	ECN NO.	DESCRIPTION	DATE	REV.	FINISH SEE NOTE	UNITS: mm	GENERAL TOLERANCE	DRAW:	PART NO.
A		NEW	15/09'2019	A			X: ±0.20 .X ±0.10 .XX ±0.05 .XXX ±0.02	X': ±2.00' .X' ±1.00' .XX' ±0.5'	P72-AB01A25A
								CHECKED:	NAME:
								APPROVE:	DRAWING NO.
									C-P72-0000
									TITLE: Customer drawing
									昆山捷皇电子精密科技有限公司 HONGRIDA ELECTRONIC TECHNOLOGY CO.,LTD.