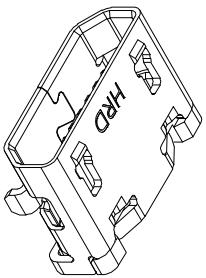
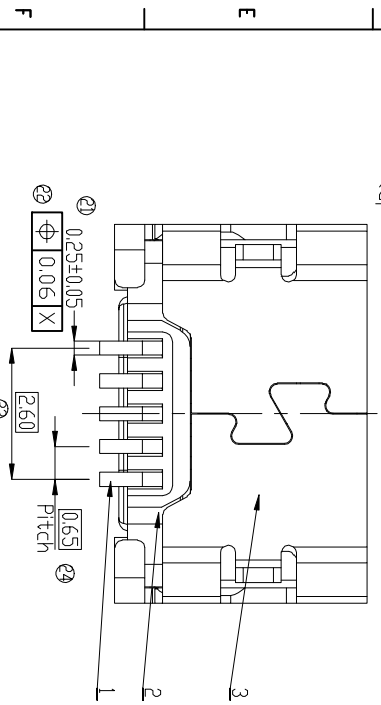
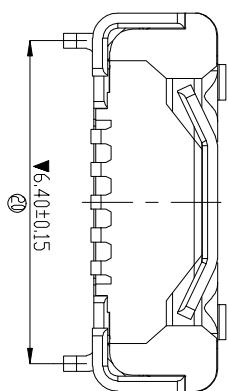
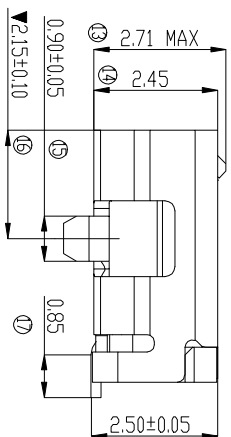
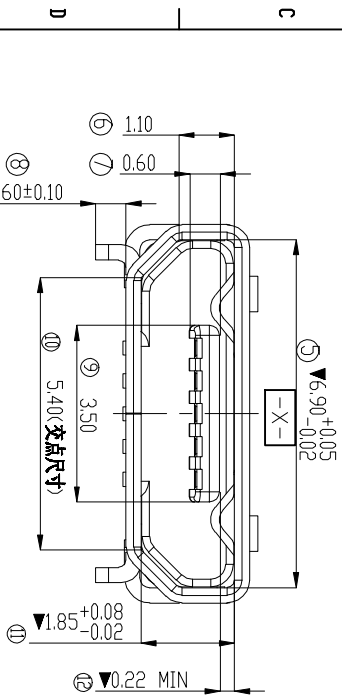


RECOMMENDED PCB LAYOUT(TOP VIEW)
GENERAL TOLERANCE(+0.05)

- NOTES:
SPECIFICATION:
1 CURRENT RATING:3.0A MAX
2 VOLTAGE:100VAC
3 TEMPERATURE RANGE:-30 °C-85°C
4 CONTACT RESISTANCE:30 MILLIOMH MAX
5 DIELECTRIC WITHSTANDING VOLTAGE:200V r.m.s.
6 INSULATION RESISTANCE:100 MEGOHMS MIN
7 INSERT FORCE:35N MAX
8 INSERT FORCE:8N MIN
9 DURABILITY:10000 CYCLES
10 ALL DIMENSIONS MARKED ▼ MUST BE CONTROLLED BY QC
11 ALL DIMENSIONS MARKER (XX) MUST BE MEASURED BY FAI.



3	SHELL	STAINLESS STEEL T=0.30mm	Au/Ni Plated	1PCS
2	HOUSING	High temperature plastic	BLACK	1PCS
1	CONTACT	COPPER ALLOY T=0.20mm	Au Plating on contact area Sn Plating on solder area	1SET
ND.	DESCRIPTION	MATERIAL	REMARKS	QTY

UNITS:		GENERAL TOLERANCE		DRAW:		PART NO:	
mm	X	±0.25	X*	±2.00°	CHECKED:	APPROVE:	TITLE:
DATE:	05/03/2017	X	±0.20	±1.00°	DATE:	DATE:	规格书名称 物料名称
SCALE:	10 / 1	XX	±0.10	±0.50°	SCALE:	SCALE:	数量 数量
SHEET:	1 / 1	XXX	±0.05	±0.10°	SHEET:	SHEET:	张数 张数
REV. A	1 / 1	FINISH SEE NOTE		DRAWING NO:		HONGRIDA ELECTRONIC TECHNOLOGY CO.,LTD.	
REV.	ECN NO.	DESCRIPTION	DATE	REV. A	FINISH SEE NOTE	HONGRIDA ELECTRONIC TECHNOLOGY CO.,LTD.	

